



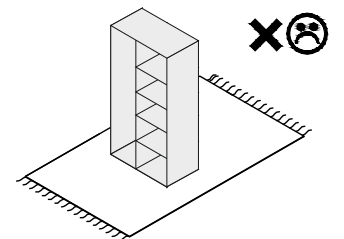
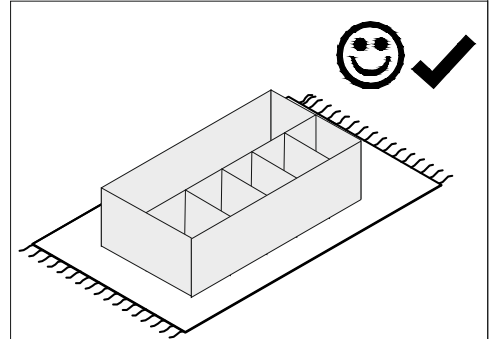
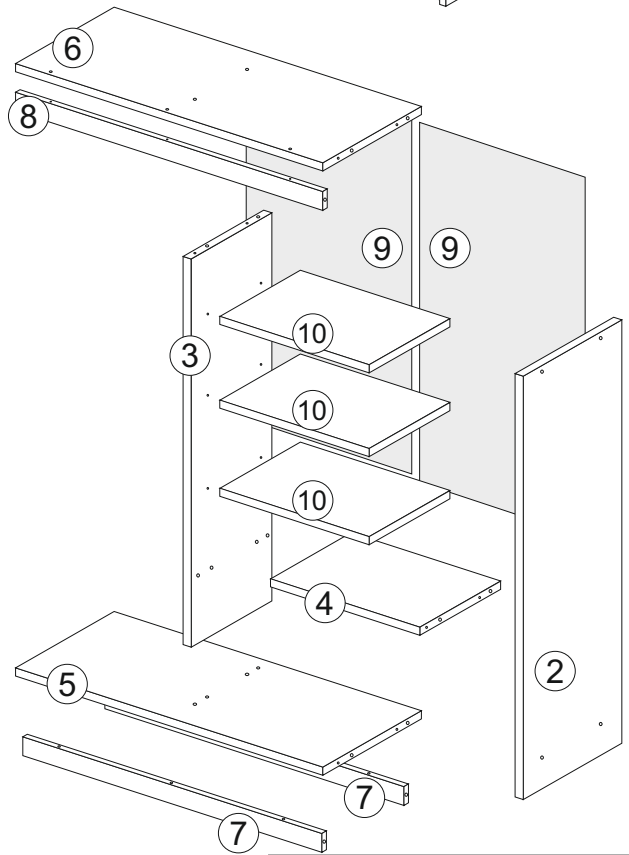
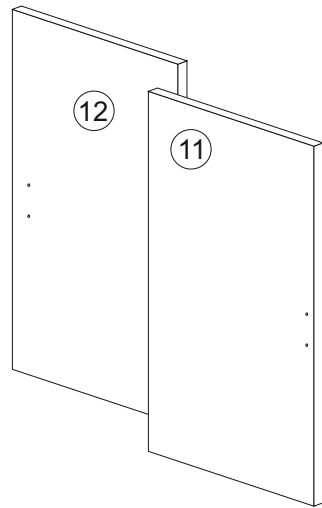
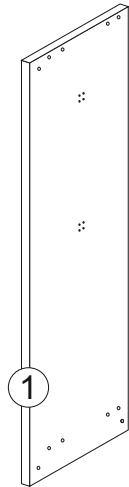
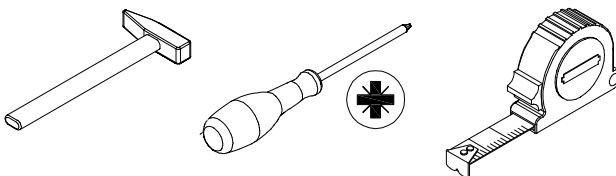
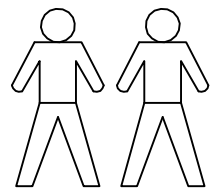
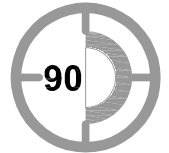
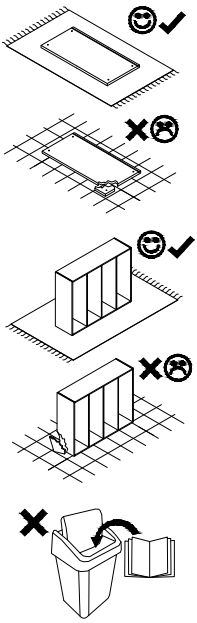
Assembly Instructions Layout A  
What you need to know before you start

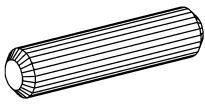
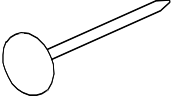
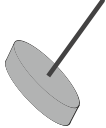
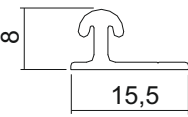
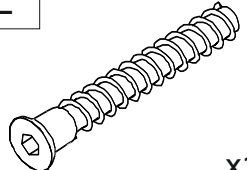
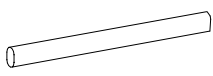
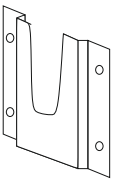
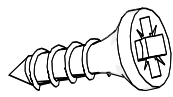
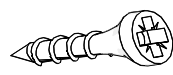
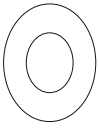
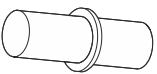
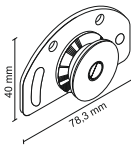
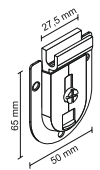
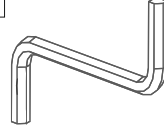


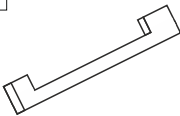
- 2 people recommended
- Build on floor not standing up
- Allow yourself plenty of space
- Use cloth to secure your floor and avoid any scratches on the panels
- Remove all panels from boxes and put them on the site
- Prepare all accessories and small bits
- If you need any support, contact us through [eluks.co.uk](http://eluks.co.uk) or check our social media as we have many videos with assembly tips

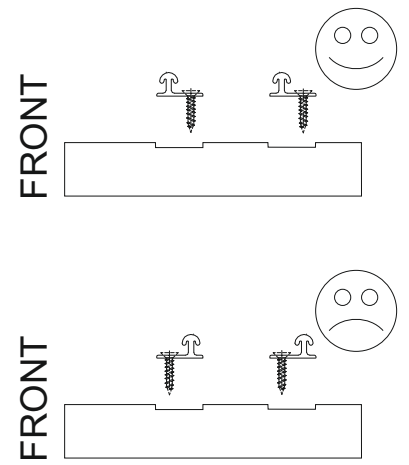
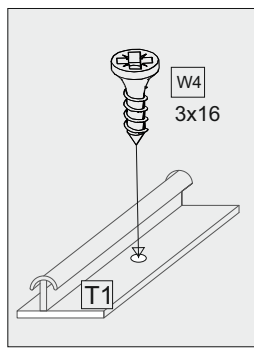
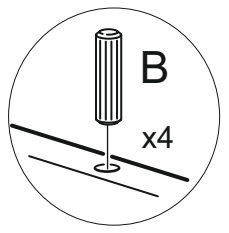
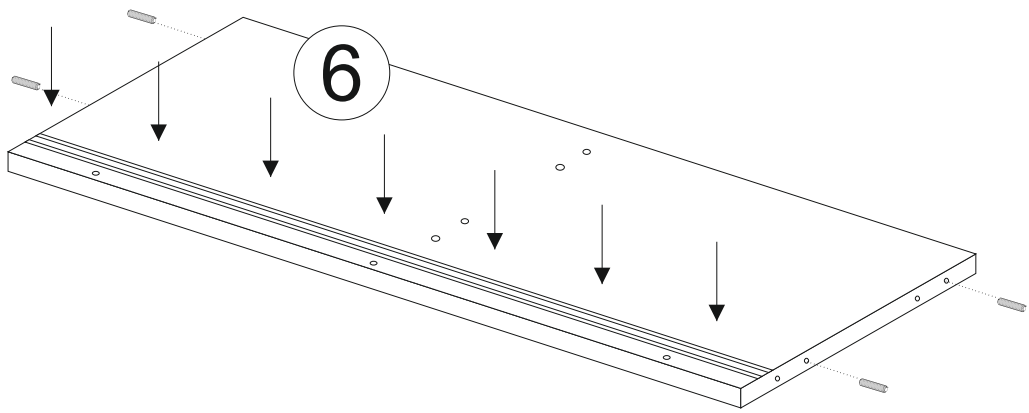
You are ready to go

# Assembly instructions

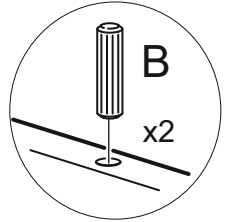
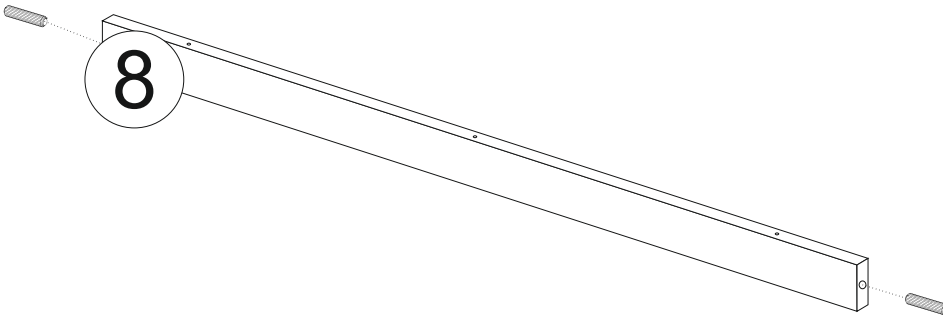
## Layout A



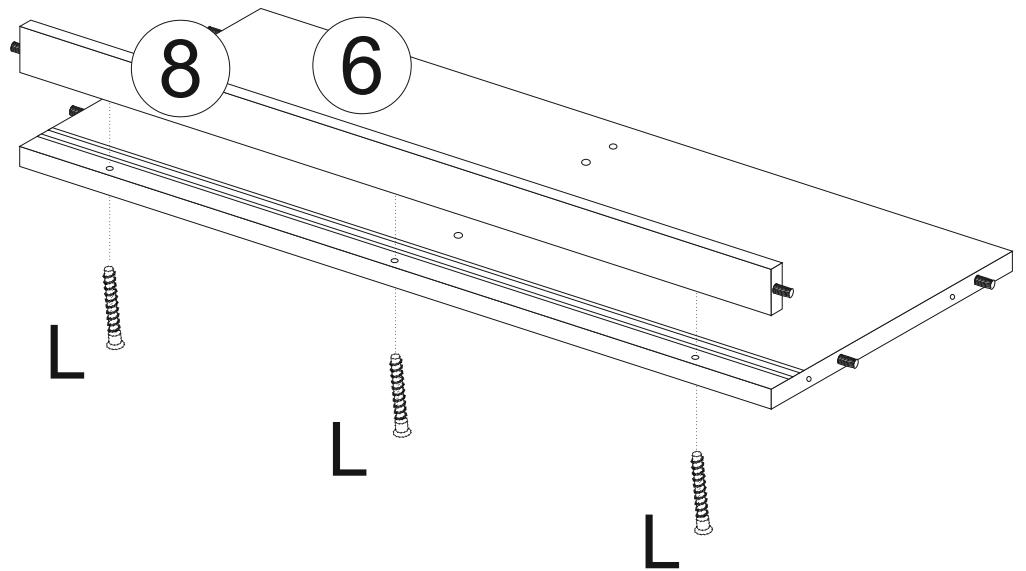
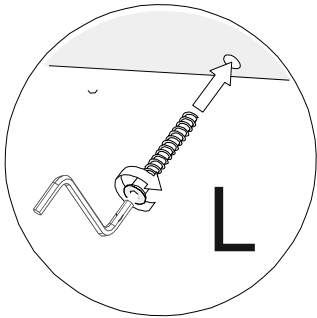
<b>B</b>  x28	<b>M.</b>  x265	<b>S</b>  x8	<b>T1</b>  x4	<b>L</b>  x19
<b>P.</b>  x2	<b>R</b>  x4	<b>W3 3.5x16</b>  x28	<b>W4 3x16</b>  x55	<b>We</b>  x4
<b>J</b>  x12	<b>Wd</b>  x4	<b>Wg</b>  x4	<b>A</b>  x1	<b>L1</b>  x19
<b>1</b>			<b>W5 4x27</b>  x4	<b>U</b>  x2



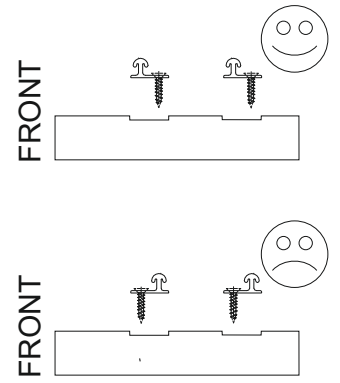
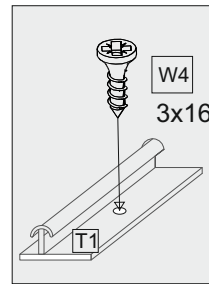
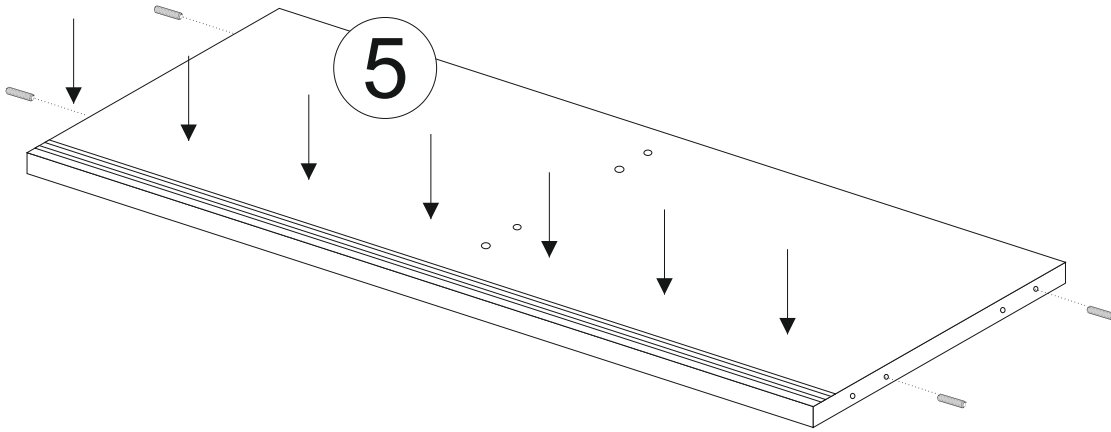
2



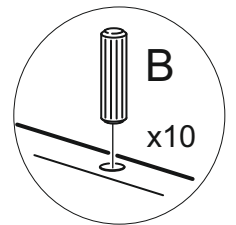
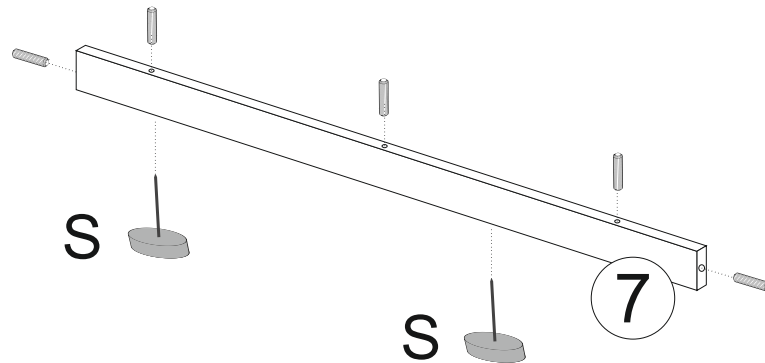
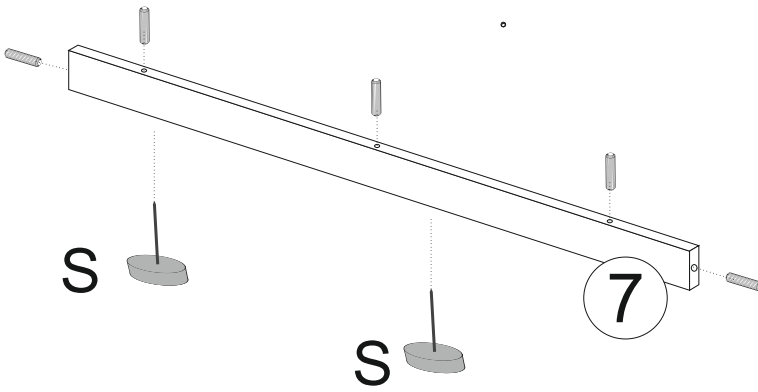
3



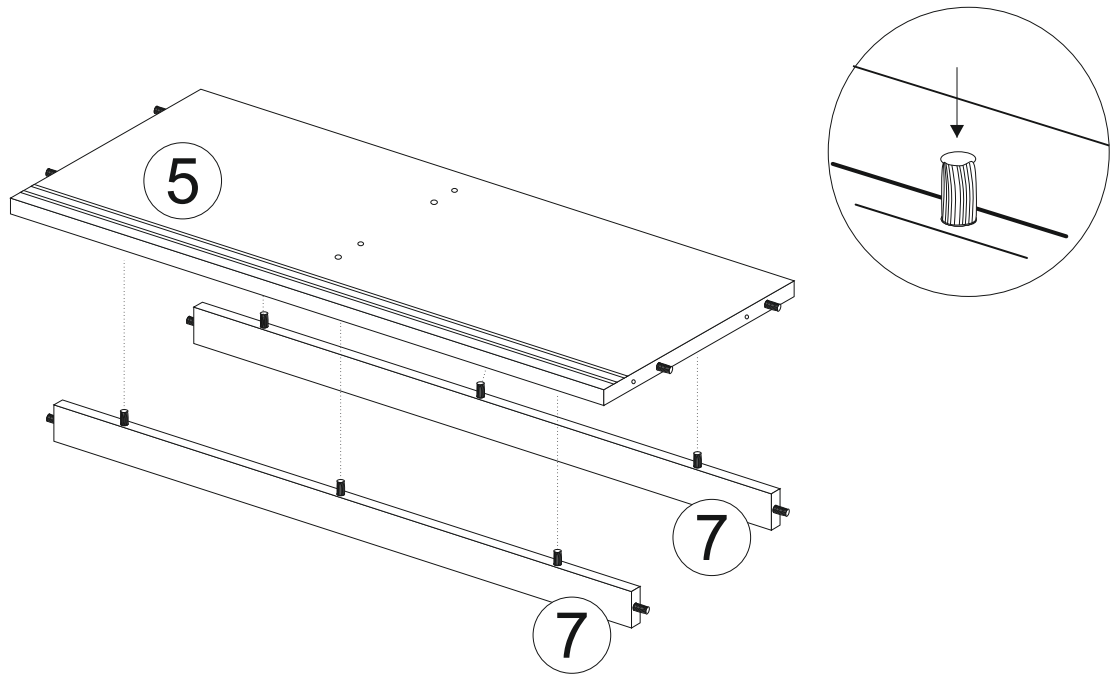
4



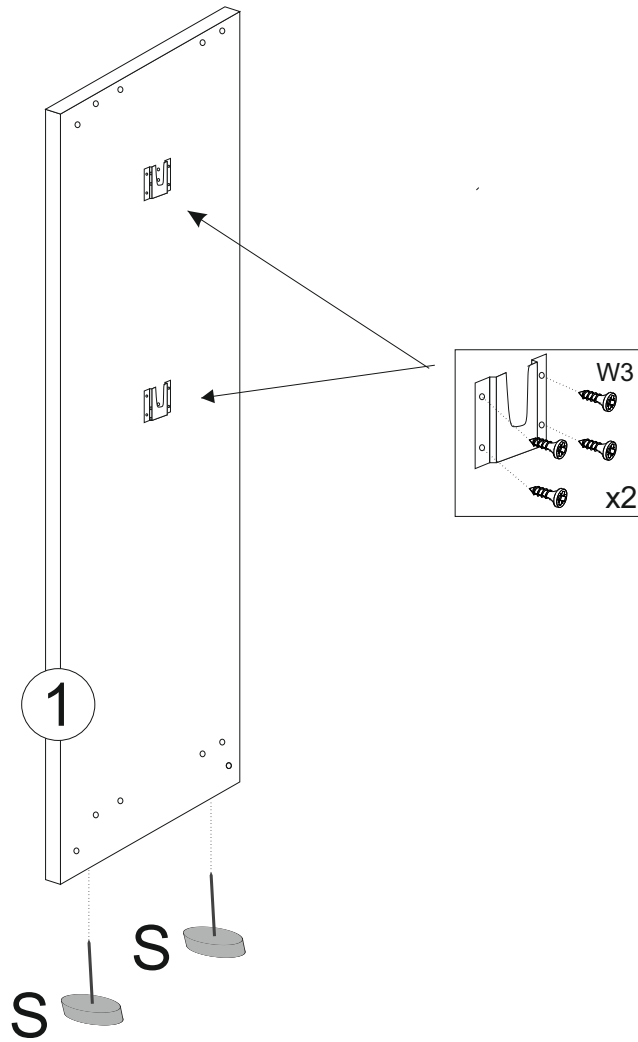
5



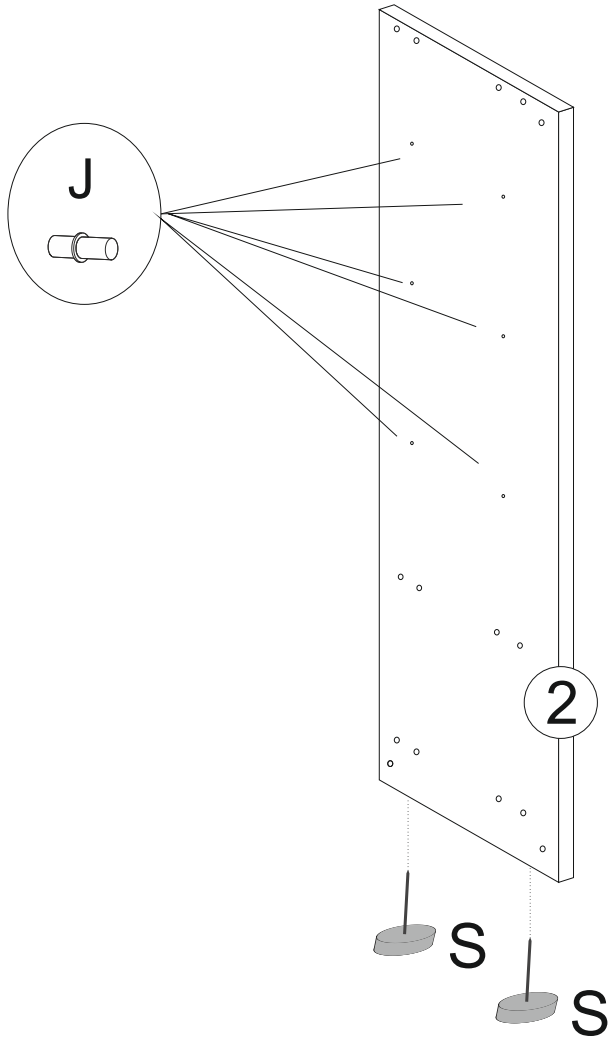
6



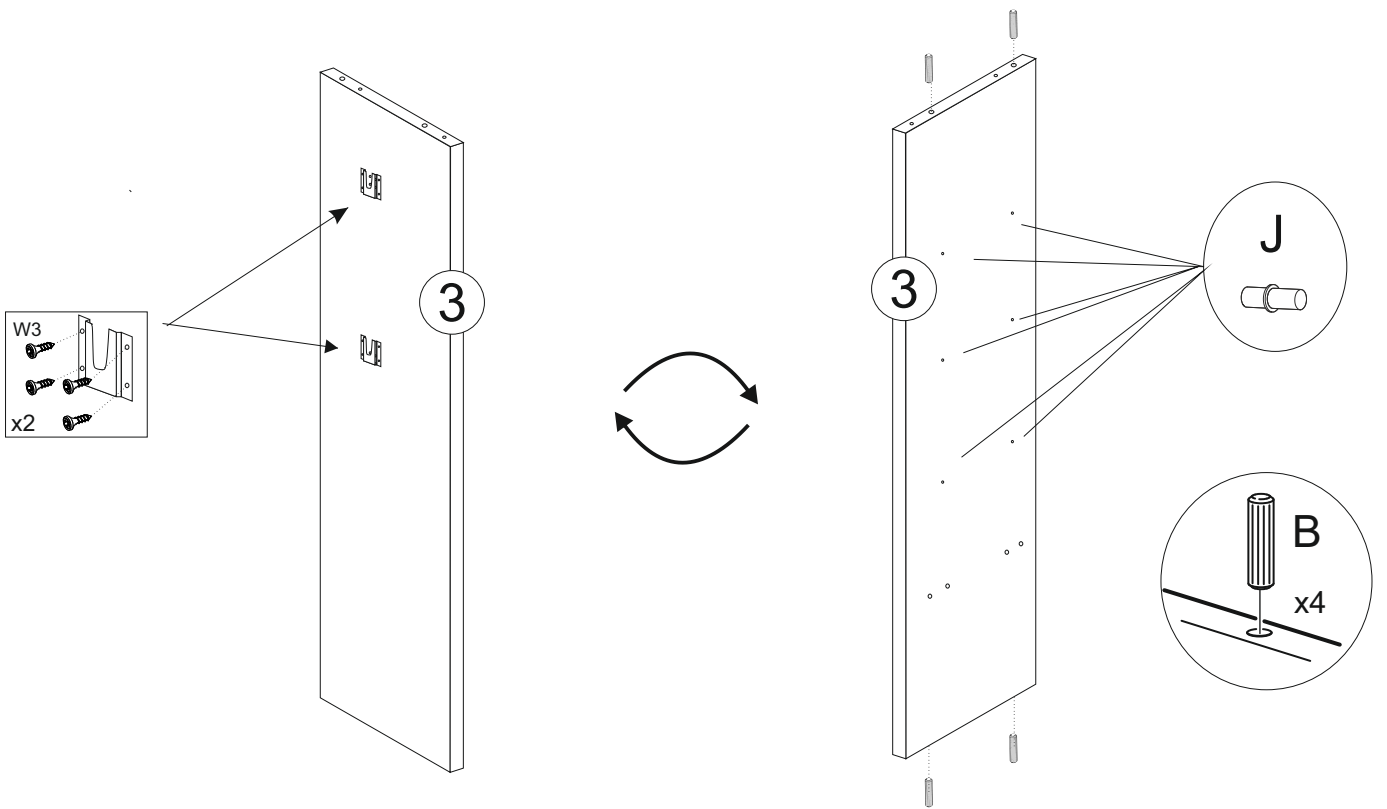
7



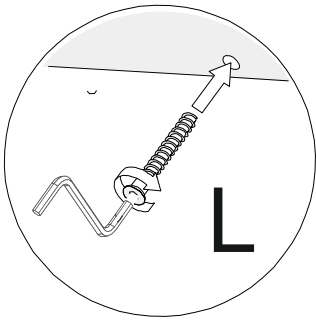
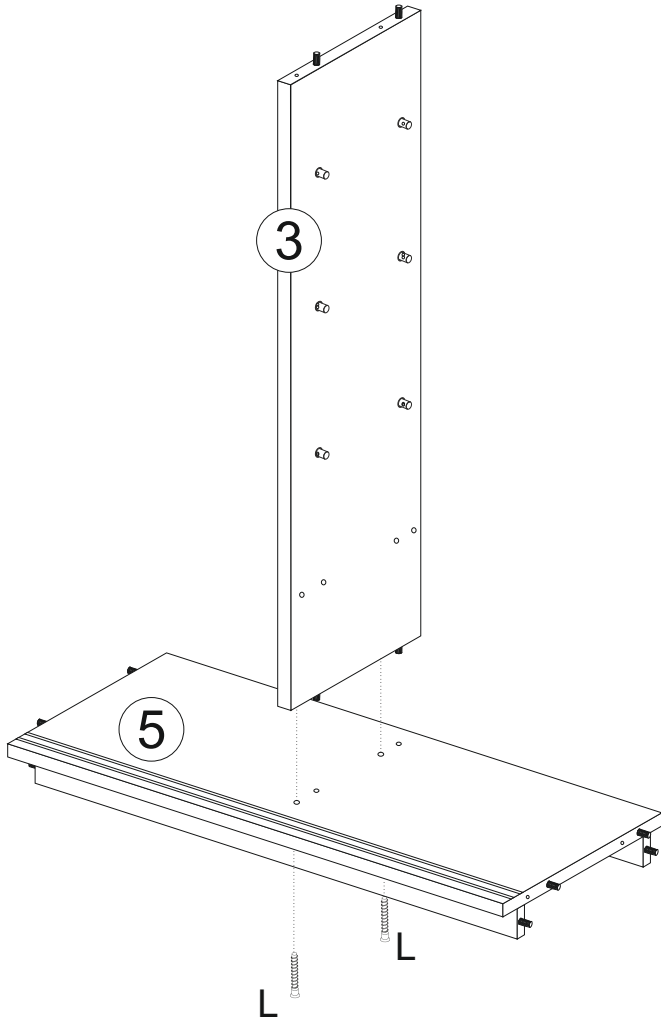
8



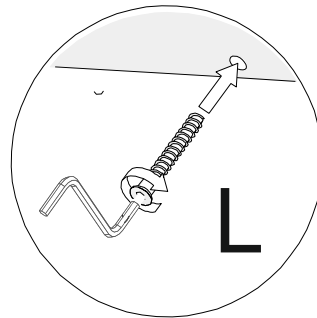
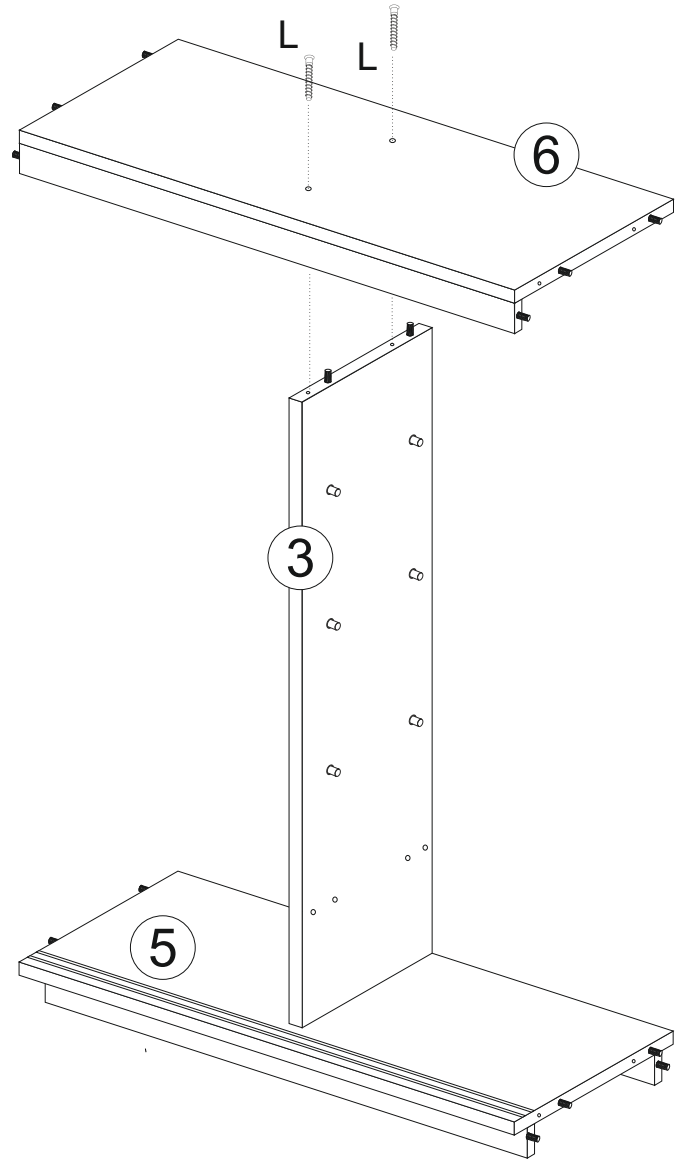
9



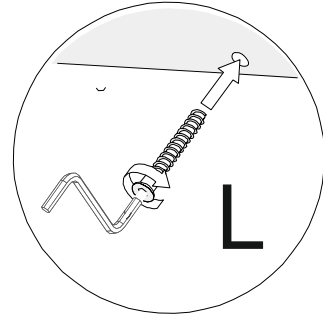
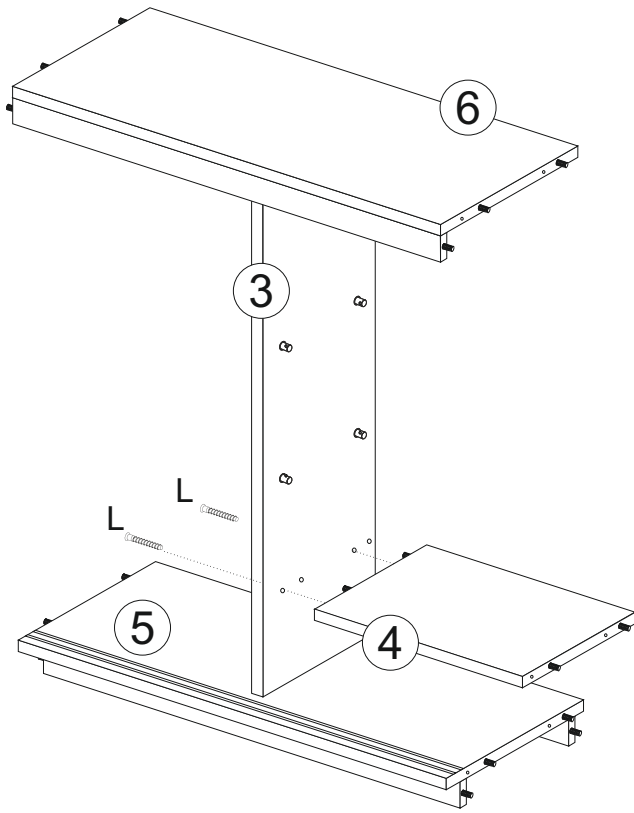
10



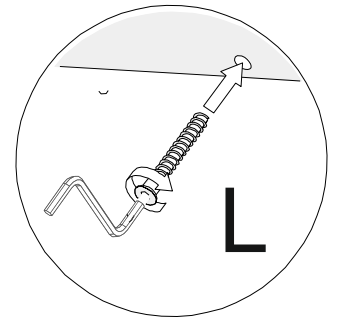
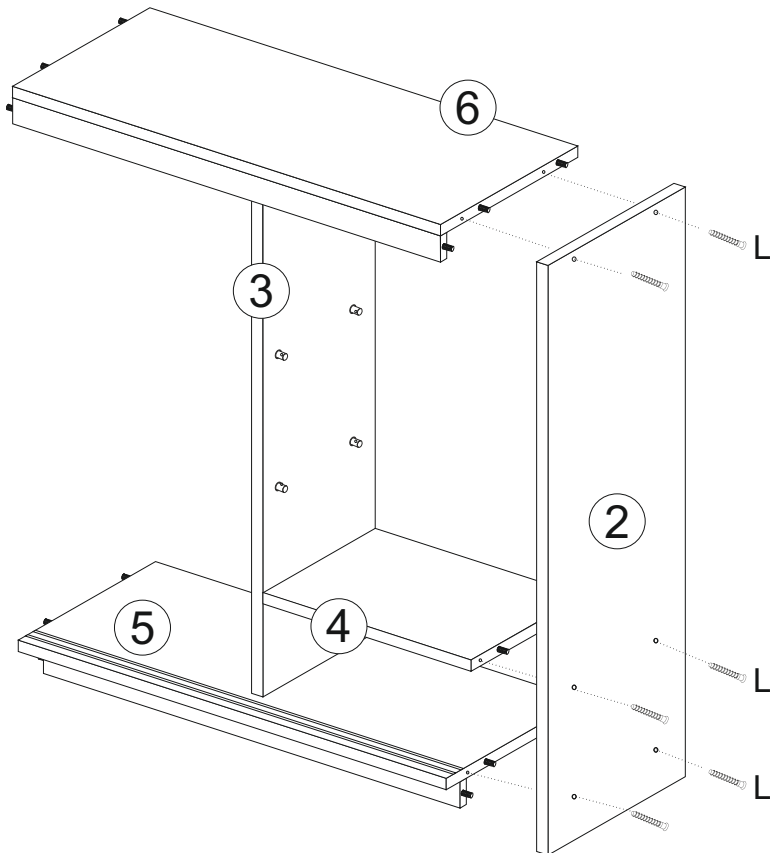
11



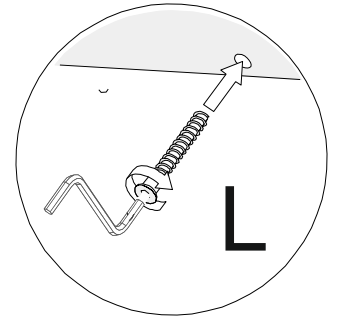
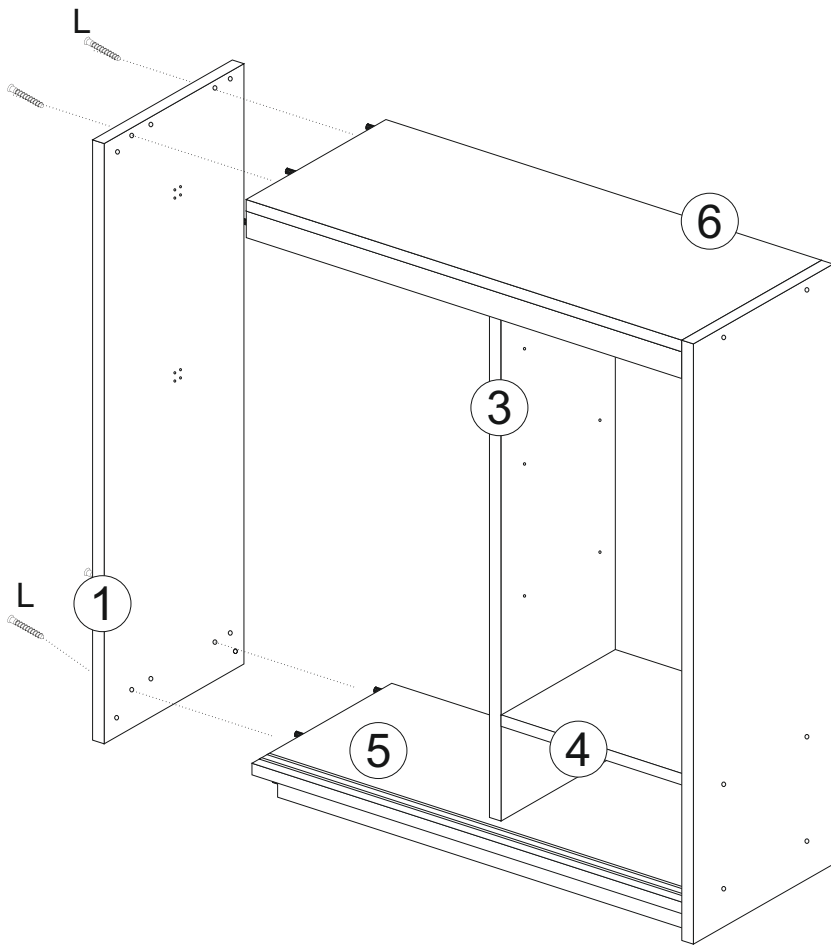
12



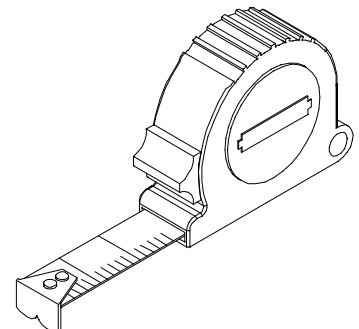
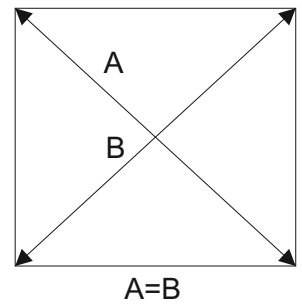
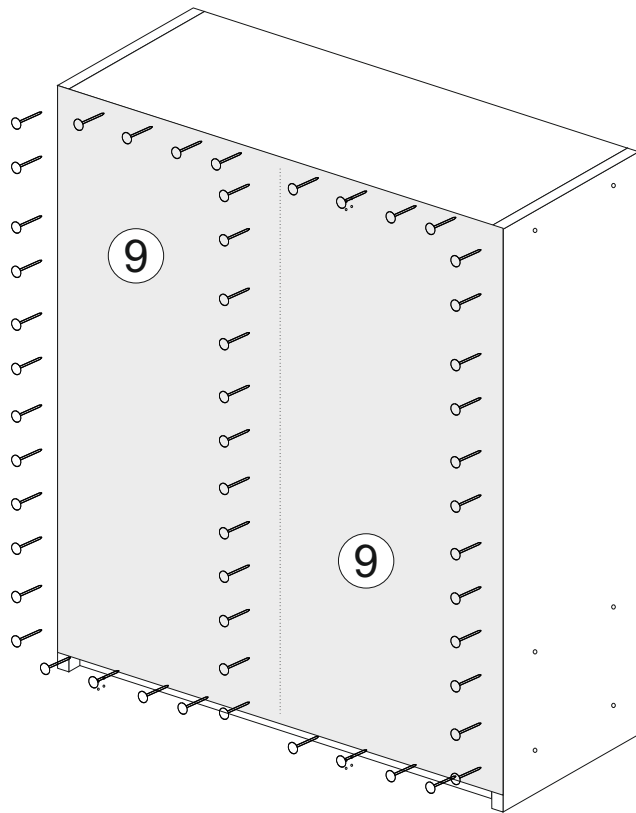
13

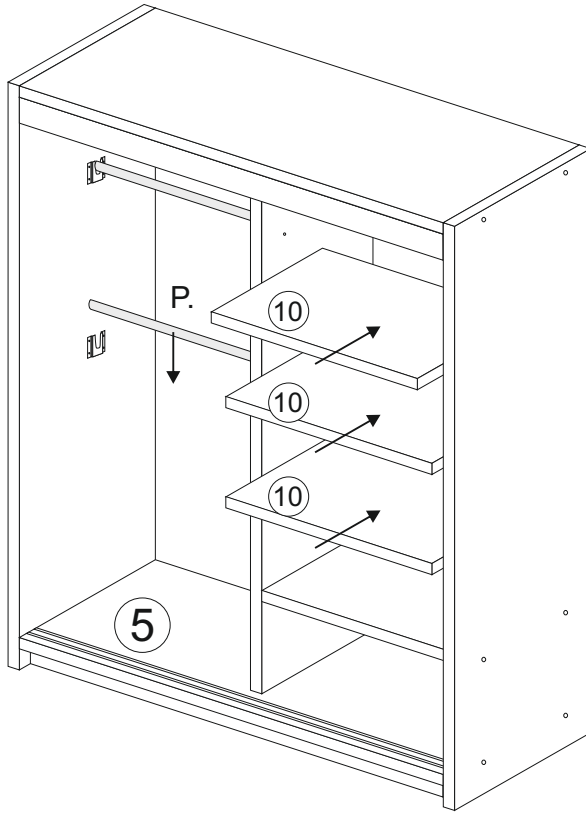
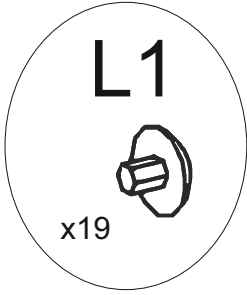


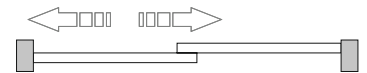
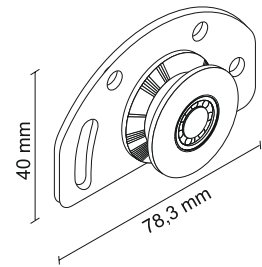
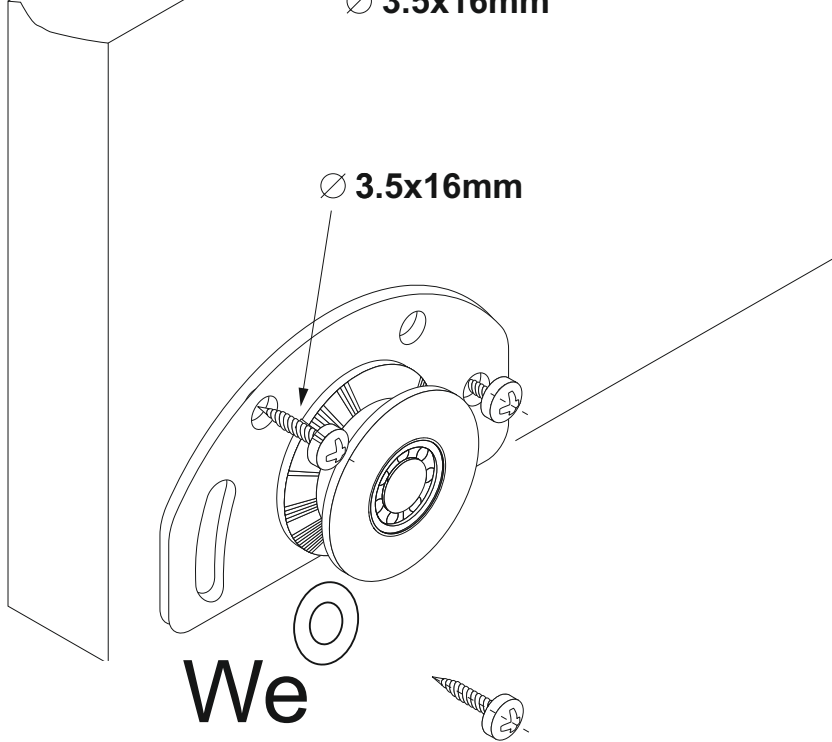
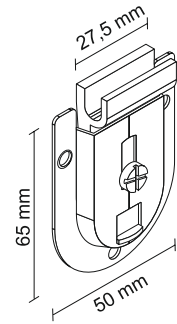
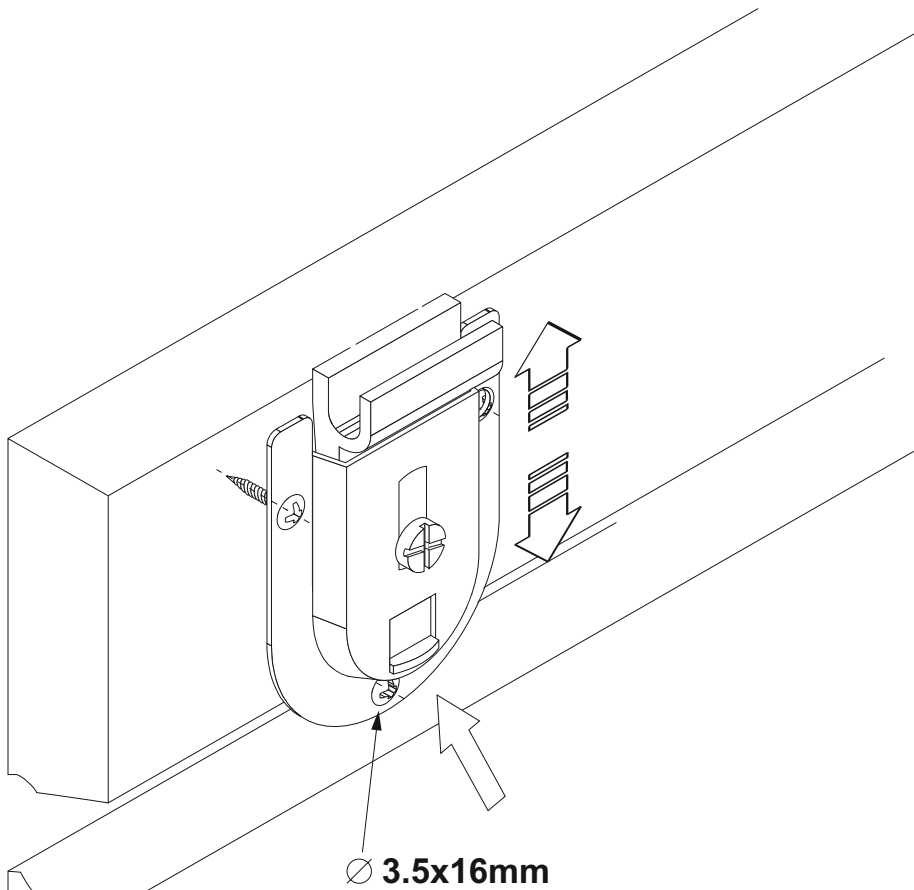
14



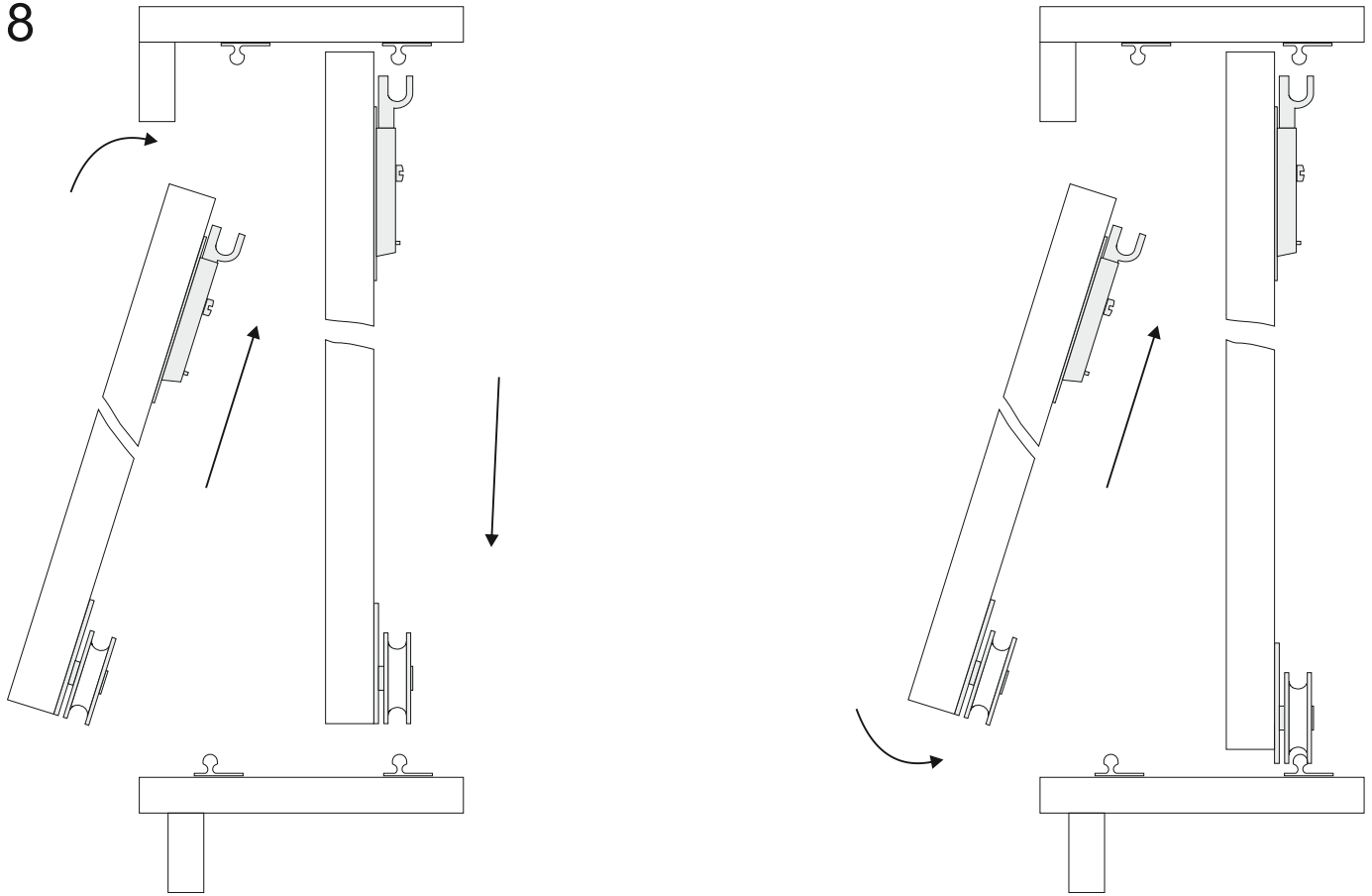
15



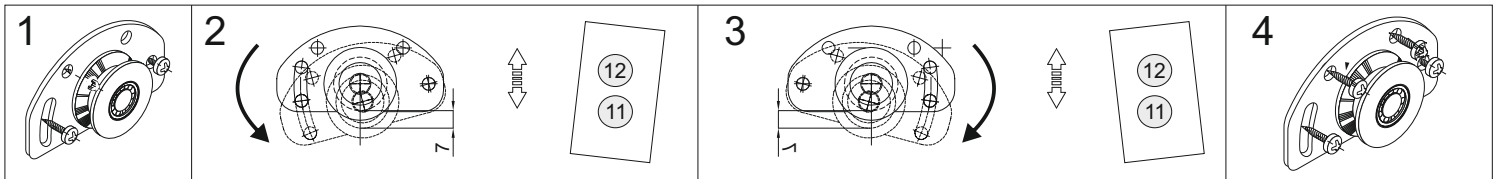




18



Door Adjusting follow steps below



19

